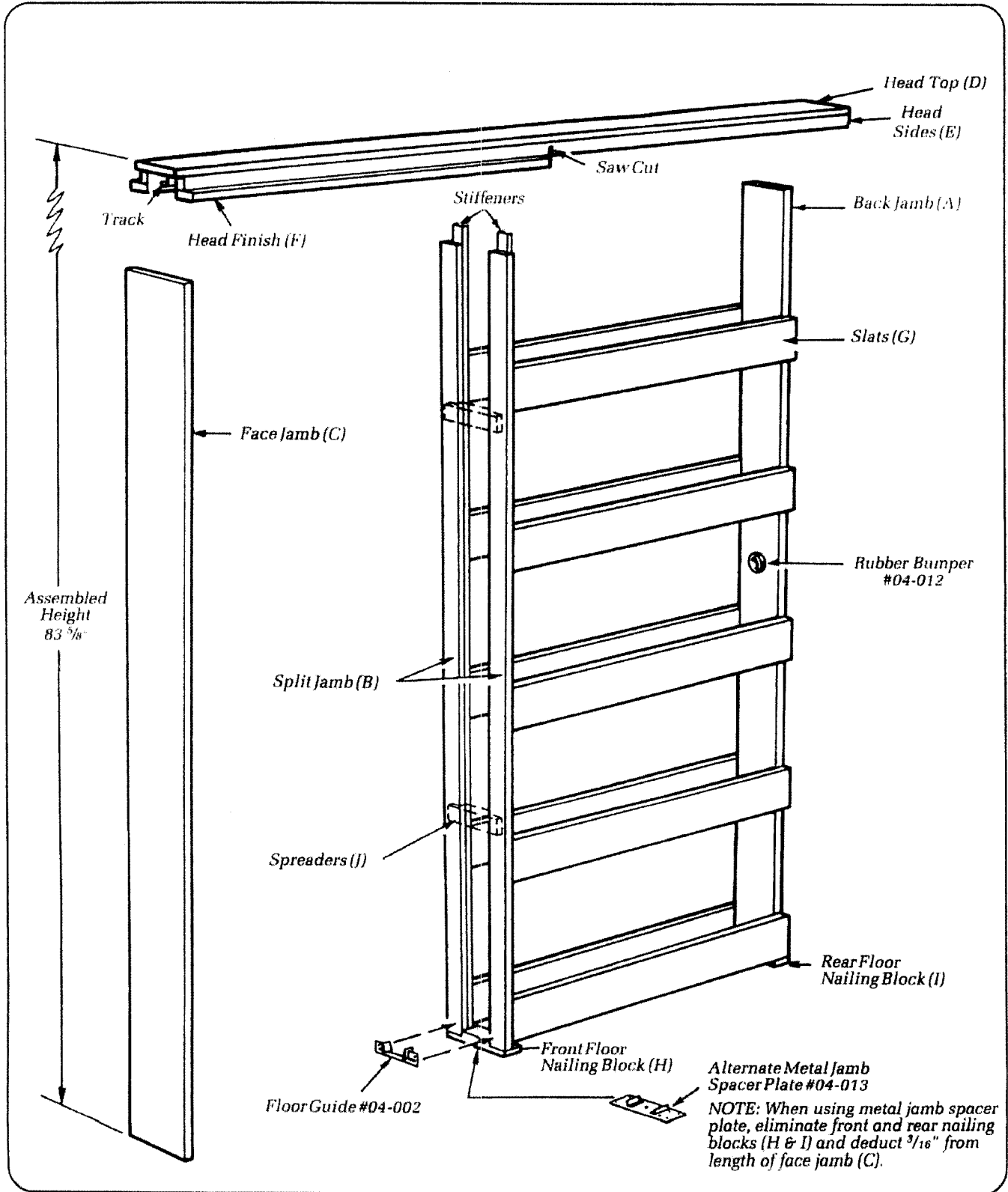


CUTTING SCHEDULE
AND ASSEMBLY DETAIL

POCKET DOOR FRAME

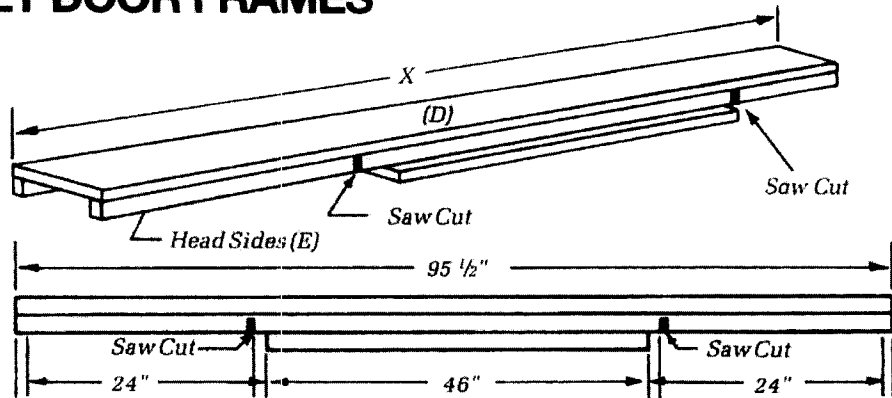


DIMENSIONS FOR *SlideMaster* POCKET DOOR FRAME (BASED ON STANDARD 6' 8" DOOR)

Finish Door Size		2' - 0"	2' - 4"	2' - 6"	2' - 8"	3' - 0"
Rough Opening	Height	7' - 0"	7' - 0"	7' - 0"	7' - 0"	7' - 0"
	Width	4' - 2"	4' - 10"	5' - 2"	5' - 6"	6' - 2"
Frame Size	Height	6' - 11 ⁵ / ₈ "	6' - 11 ⁵ / ₈ "	6' - 11 ⁵ / ₈ "	6' - 11 ⁵ / ₈ "	6' - 11 ⁵ / ₈ "
	Width	4' - 1 ⁵ / ₈ "	4' - 9 ⁵ / ₈ "	5' - 1 ⁵ / ₈ "	5' - 5 ⁵ / ₈ "	6' - 1 ⁵ / ₈ "

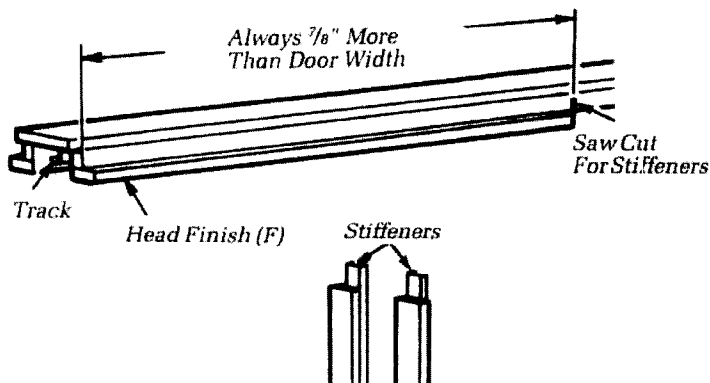
DOUBLE POCKET DOOR FRAMES

Double Head:
4 times door width,
less (-) 1/2 inch (X)

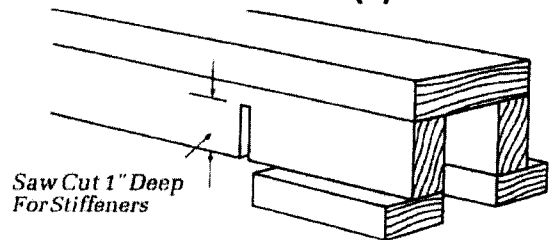


Typical Head For 2'-0" Double Doors

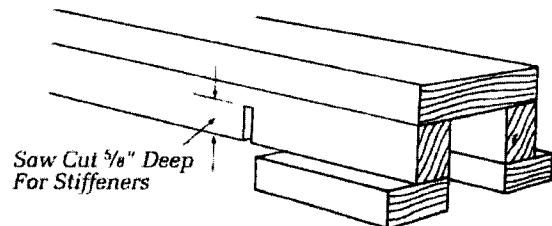
LENGTH TO SAW CUT ON HEAD SIDES (E)



DEPTH OF SAW CUT ON HEAD SIDES (E)



SERIES 15



SERIES 31 & 32

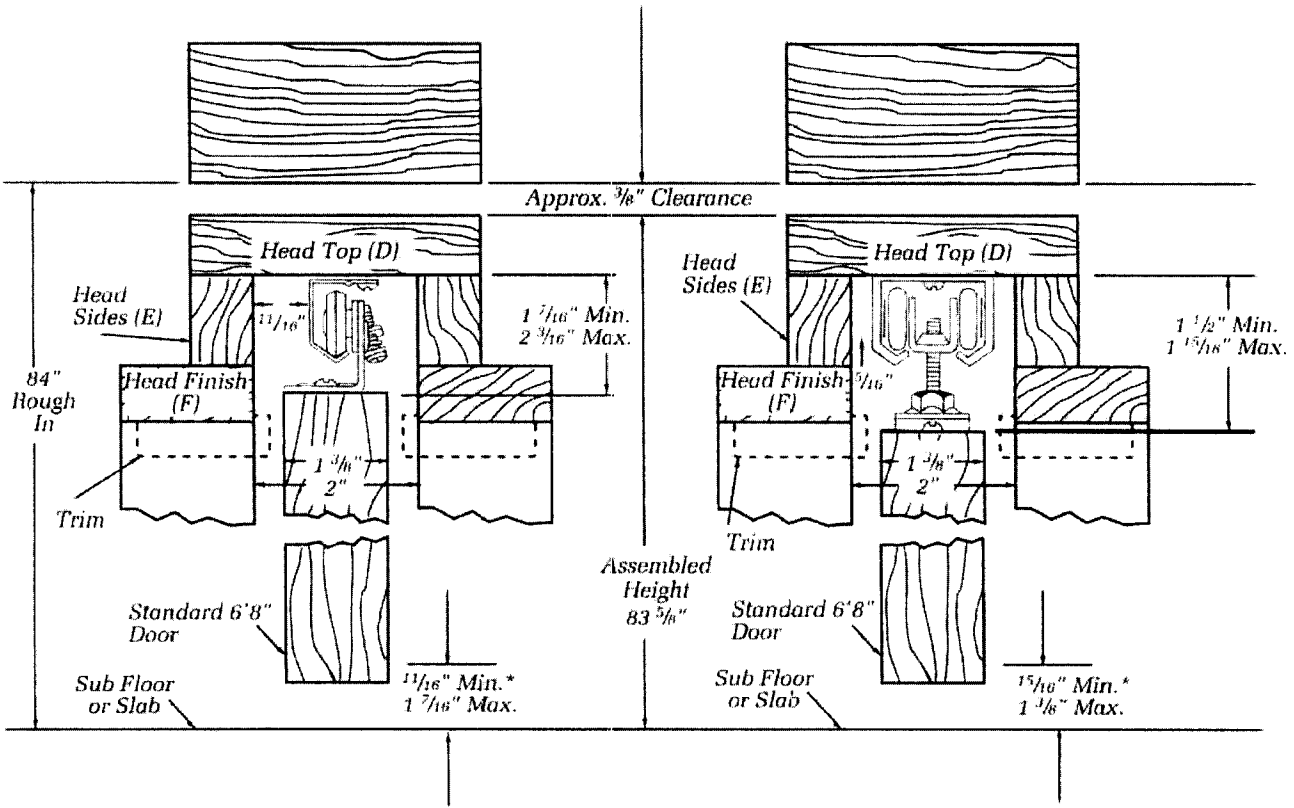
COX . DISTINCTIVE DOOR SYSTEMS.

SUPERIOR HARDWARE. BEAUTIFUL DOORS.

4755 E. Zinfandel Court, Suite D · Ontario, CA 91761
P/ 909.545.8900 · F/ 909.975.4801 www.coxusa.us

SERIES 31

SERIES 32



* Note: Floor clearance is for a standard 80" door. Trim door accordingly for clearance over heavy carpet, etc.

Cutting Schedule For Series 31 & 32 Glidemaster Pocket Door Frame

Item	Pcs.	Plaster Sizes	Drywall Sizes	2' - 0"	2' - 4"	2' - 6"	2' - 8"	3' - 0"	
A Back Jamb	1	3/4 x 2	3/4 x 2	82 5/8	82 5/8	82 5/8	82 5/8	82 5/8	
B Split Jamb	2	3/4 x 1 5/8	3/4 x 1 1/4	81 1/2	81 1/2	81 1/2	81 1/2	81 1/2	
C Face Jamb	1	3/4 x 5 1/4	3/4 x 4 1/2	82 7/8	82 7/8	82 7/8	82 7/8	82 7/8	
D Head Top	1	3/4 x 3 1/2	3/4 x 3 1/2	49 5/8	57 5/8	61 5/8	65 5/8	73 5/8	
E Head Sides	2	3/4 x 1 1/8	3/4 x 1 1/8	48 7/8	56 7/8	60 7/8	64 7/8	72 7/8	
F Head Finish	2	3/4 x 1 5/8	3/4 x 1 1/4	24 1/8	28 1/8	30 1/8	32 1/8	36 1/8	
G Slats	10	3/4 x 3 5/8	3/4 x 3 5/8	23 7/8	27 7/8	29 7/8	31 7/8	35 7/8	
H	Front Floor Nailing Spacer Block - 1 Req'd, 1/2" Plywood Rabbetted - 1/4"								
I	Rear Floor Nailing Block, 1 Req'd, 1/4" Plywood								
J	Pocket Jamb Spreaders - 2 Req'd, Waste Stock (Split Jambs) Rabbetted								

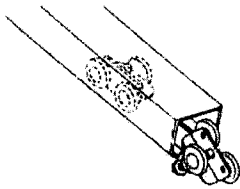
INSTALLATION INSTRUCTIONS

1" TO 1 3/4" (25-44 MM) DOORS
UP TO 125 LBS.

SERIES 32

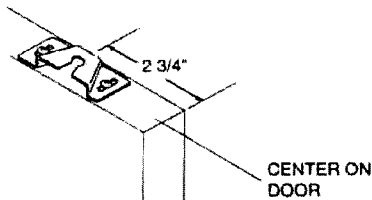
TRI-WHEEL POCKET DOOR HARDWARE

1. INSTALL HANGERS



Place hangers in track by fitting through hanger mounting space between track and jamb. Install hangers with opposite wheel alignment as shown for better weight distribution.

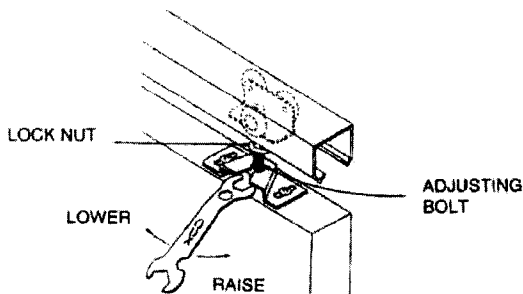
2. INSTALL HANGER BRACKETS



Screw all hanger brackets on doors, 2 3/4" from edge of door to center of bracket.

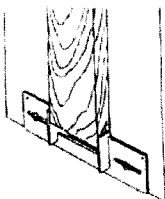
3. INSTALL AND ADJUST DOORS

Attach bracket to hanger by lifting door and inserting adjusting bolt into slot until bolt head becomes seated. Align doors by turning adjusting bolt with wrench.

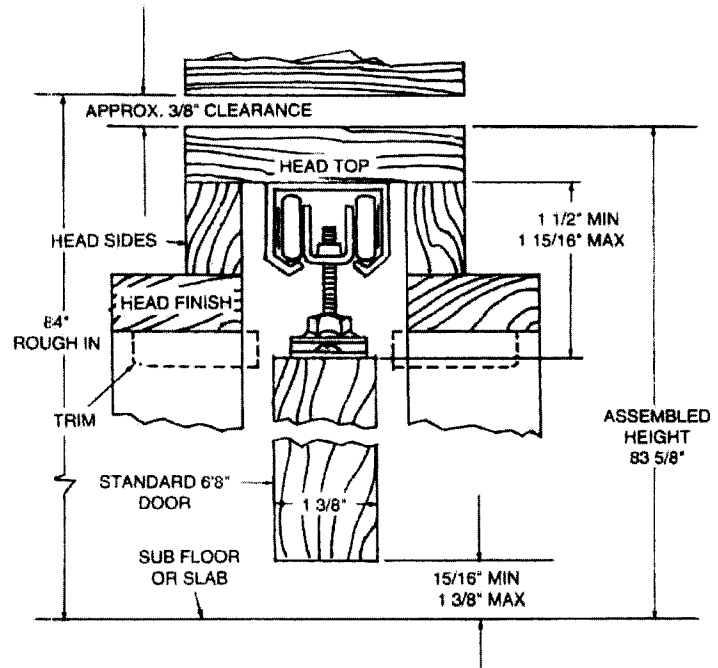


After final adjustment, tighten lock nut down to bracket as shown.

4. INSTALL FLOOR GUIDES



Nail nylon guide No. 04-002 to split jamb as shown, centering door in pocket. NOTE: For 1 3/4" doors, cut center section of nylon floor guide.



NOTE: Floor clearance is for a standard 80" door. Trim door accordingly for clearance over heavy carpet, etc.

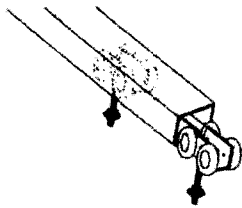
Finish Door Size		2' - 0"	2' - 4"	2' - 6"	2' - 8"	3' - 0"
Rough Opening	Height	7' - 0"	7' - 0"	7' - 0"	7' - 0"	7' - 0"
	Width	4' - 2"	4' - 10"	5' - 2"	5' - 6"	6' - 2"
Frame Size	Height	6' - 11-5/8"	6' - 11-5/8"	6' - 11-5/8"	6' - 11-5/8"	6' - 11-5/8"
	Width	4' - 1-5/8"	4' - 9-5/8"	5' - 1-5/8"	5' - 5-5/8"	6' - 1-5/8"

INSTALLATION INSTRUCTIONS

1" TO 1 3/4" (25-44 MM) DOORS
BALL BEARING - UP TO 175 LBS.

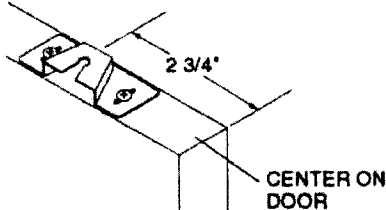
SERIES 32 4 WHEEL POCKET DOOR HARDWARE

1. INSTALL HANGERS



Place hangers in track by fitting through hanger mounting space between track and jamb.

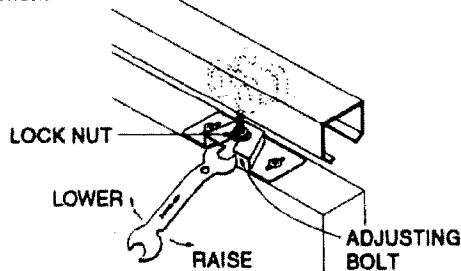
2. INSTALL HANGER BRACKETS



Screw all hanger brackets on door, 2 3/4" from edge of door to center of bracket.

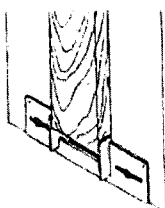
3. INSTALL AND ADJUST DOORS

Attach bracket to hanger by lifting door and inserting adjusting bolt into slot until bolt head becomes seated. Align doors by turning adjusting bolt with wrench.

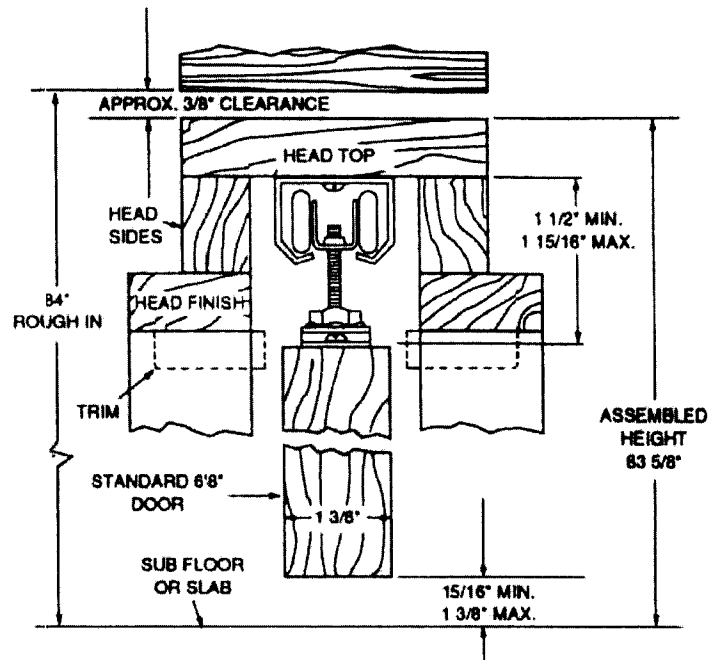


After final adjustment, tighten lock nut down to bracket as shown.

4. INSTALL FLOOR GUIDES



Nail nylon guide No. 04-002 to split jamb as shown, centering door in pocket. NOTE: For 1 3/4" doors, cut out center section of nylon floor guide.



NOTE: Floor clearance is for a standard 80" door. Trim door accordingly for clearance over heavy carpet, etc.

Finish Door Size		2' - 0"	2' - 4"	2' - 6"	2' - 8"	3' - 0"
Rough Opening	Height	7' - 0"	7' - 0"	7' - 0"	7' - 0"	7' - 0"
	Width	4' - 2"	4' - 10"	5' - 2"	5' - 6"	6' - 2"
Frame Size	Height	6' - 11-5/8"	6' - 11-5/8"	6' - 11-5/8"	6' - 11-5/8"	6' - 11-5/8"
	Width	4' - 1-5/8"	4' - 9-5/8"	5' - 1-5/8"	5' - 5-5/8"	6' - 1-5/8"