

AUTOMATIC DOOR BOTTOMS

HEAVY-DUTY MORTISE

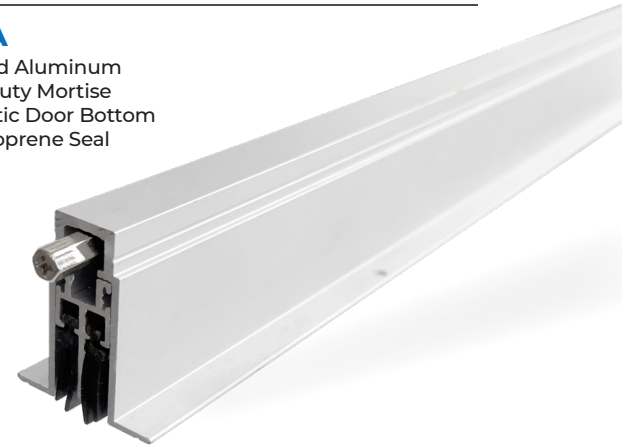
All Products on This Page:



- ▶ Fits Wood Fire Door Mortise Restrictions
- ▶ Use With a Threshold for Maximum Sealing Capability
- ▶ Nylon Brush Recommended for Carpet Applications Where No Threshold Is Provided
- ▶ Specify Exact Net Length Required to Avoid Field Sizing
- ▶ Furnished $\frac{1}{2}$ " Shorter Than Ordered to Fit Within Net Door Size (i.e. 36" is Furnished 35 $\frac{1}{2}$ "")
- ▶ ADB's from 12" to 18" Can be Cut Down $\frac{1}{2}$ ". ADB's 20" and Over Can be Cut Down up to 1 $\frac{1}{2}$ "
- ▶ Minimum Length 11 $\frac{1}{2}$ ", Maximum Length 60"
- ▶ $\frac{3}{4}$ " Max Drop
- ▶ Black Plastic End Caps Furnished Standard
- ▶ BHMA Certified to ANSI/BHMA A156.22, 1,000,000 Cycle Test-Grade 1
- ▶ Lead Insert Available for Radiation Shield – Specify 'Lead Lined' (Not Available on 423STC)
- ▶ Non-Handed

423NA

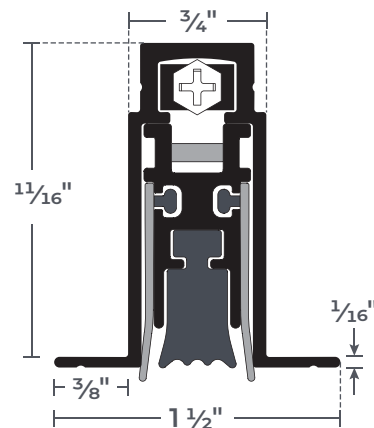
Anodized Aluminum
Heavy-Duty Mortise
Automatic Door Bottom
with Neoprene Seal



Neoprene is Black
Nylon Brush is Black
#6 x $\frac{1}{2}$ " Tek Screws
Furnished

Mortise Required

$\frac{3}{4}$ " x 1 $\frac{11}{16}$ "



423STC

